

4

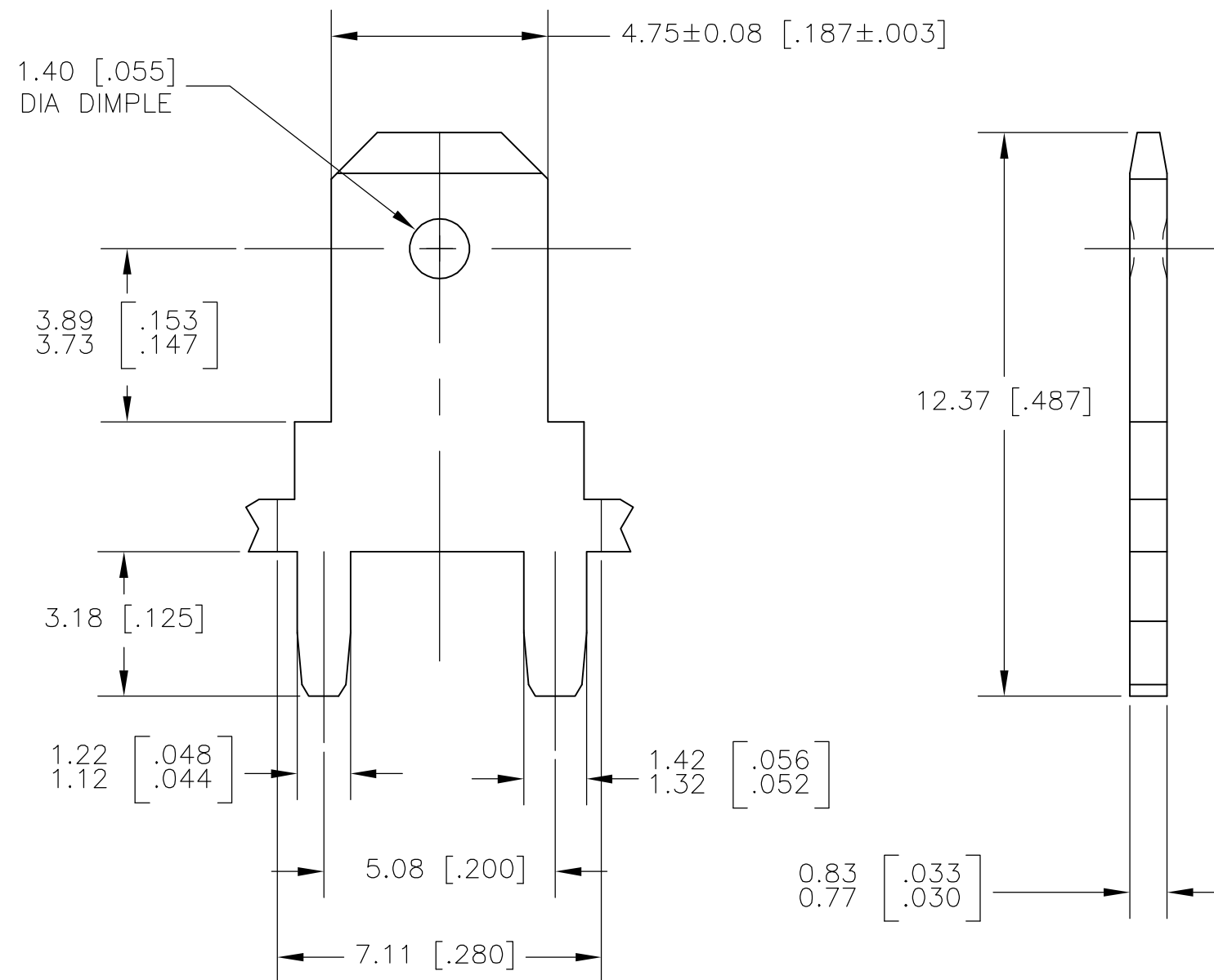
3

2

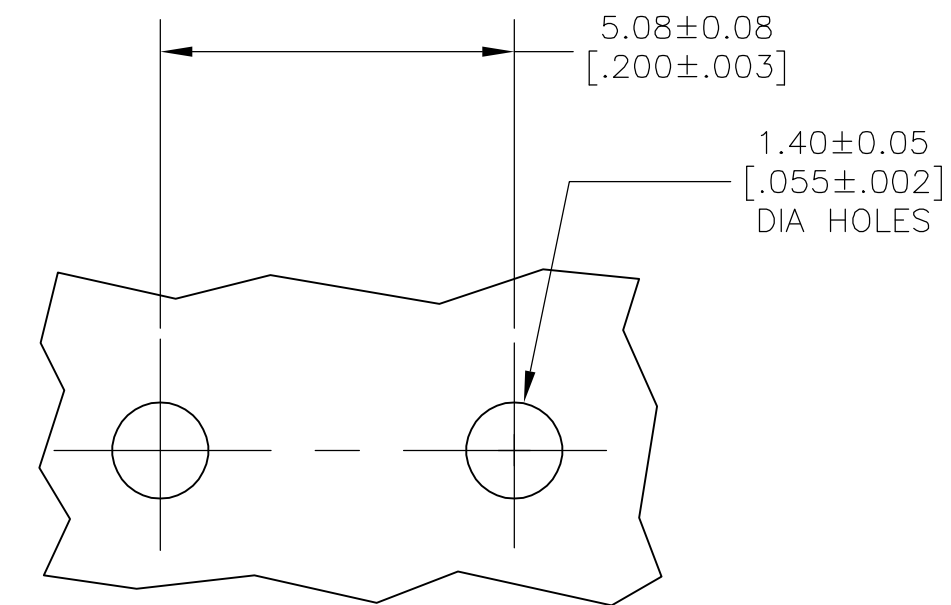
1

THIS DRAWING IS UNPUBLISHED. RELEASED FOR PUBLICATION --  
 © COPYRIGHT BY TYCO ELECTRONICS CORPORATION. ALL RIGHTS RESERVED.

LOC	DIST	REVISIONS					
AF	50	P	LTR	DESCRIPTION	DATE	DWN	APVD
		D		REV PER ECR-05-017407	14APR06	HMR	KR



1 CONTINUOUS STRIP ON REELS.  
 2 0.00381 [.000150] MIN TIN OVER  
 0.00254 [.000100] MIN THK COPPER.



P.C. BOARD HOLES  
 SCALE 10:1

63525-1  
 PART NUMBER

THIS DRAWING IS A CONTROLLED DOCUMENT.		DWN	JR RUTH	30NOV00	<b>tyco</b> <b>Electronics</b>	Tyco Electronics Corporation	
DIMENSIONS: mm [INCHES]		CHK	MS FEHER	30NOV00		Harrisburg, PA 17105-3608	
TOLERANCES UNLESS OTHERWISE SPECIFIED:		APVD	G PORTA	30NOV00	NAME		
0 PLC ± -		PRODUCT SPEC	TAB, FASTON, PC BOARD, 4.75 [.187] SERIES				
1 PLC ± -		APPLICATION SPEC	SIZE				
2 PLC ± 0.25 [.010]		WEIGHT	A3 00779 C-63525				
3 PLC ± -		CUSTOMER DRAWING	SCALE		SHEET		
4 PLC ± -			8:1		1 OF 1		
ANGLES ± -					REV		
FINISH					D		
082 BRASS		TIN OVER COPPER					